

Earth Leakage Detector Testing

ESI-11-10

Applicability

ARTC Network Wide
SMS

Publication Requirement

Internal / External

Document Status

Version #	Date Reviewed	Prepared by	Reviewed by	Endorsed	Approved
1.0	29 Jan 15	Standards	Stakeholders	GM Technical Standards	Operational Safety & Environment Review Committee 10/02/2015

Amendment Record

Amendment Version #	Date Reviewed	Description of Amendment
1.0	29 Jan 15	New instruction for MRD AC/DC type Earth Leakage Detectors. Document rebranded following OSERC approval.

1 Scope

Testing MRD AC/DC type earth leakage detectors.

2 Background

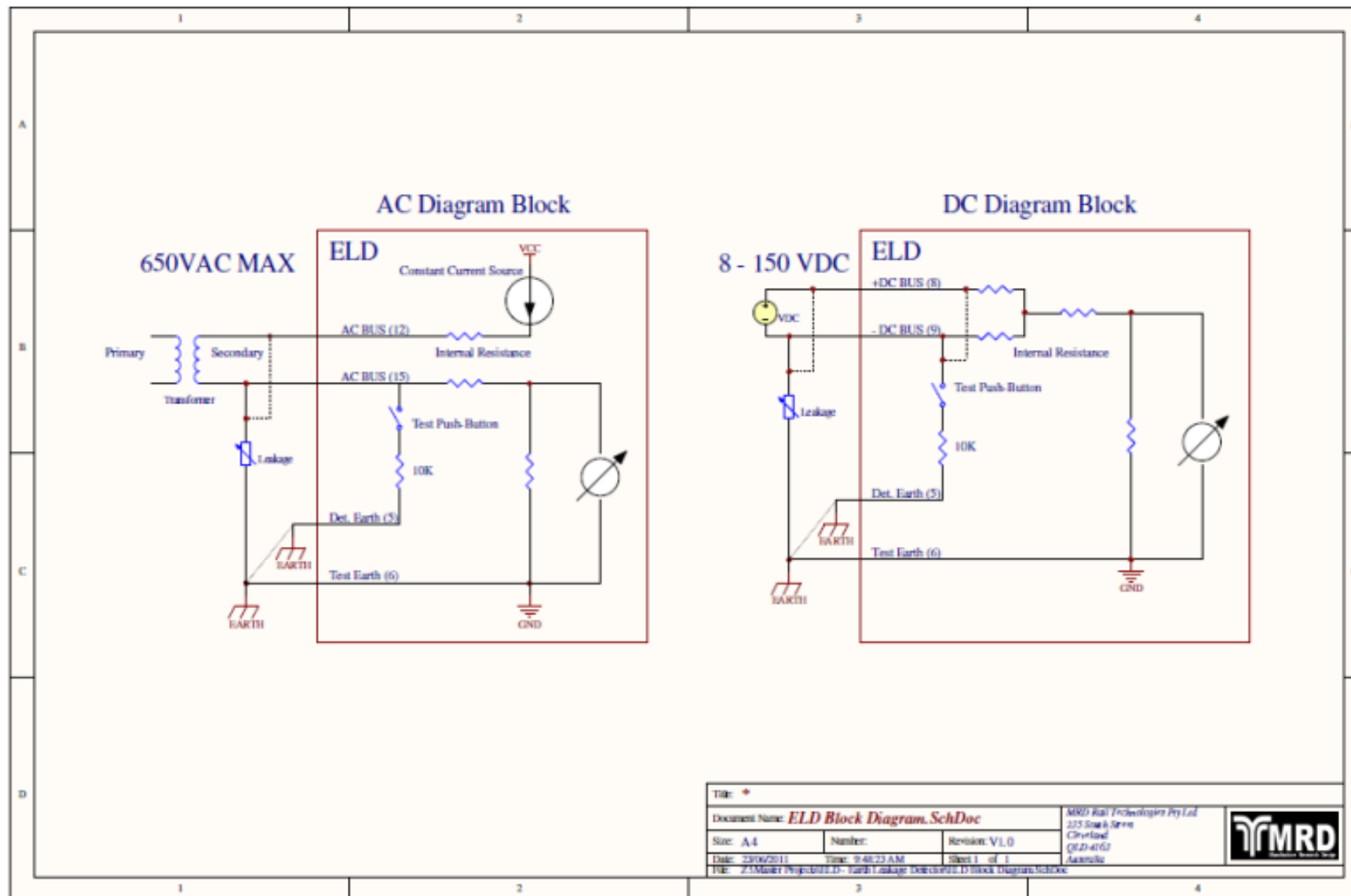
The ELD connects a 20K resistor between the busbar and earth and measures it in the test earth. This separation of earths is to validate if the connection between Test and Protection earth is made.


3 Actions

In the event of a problem between the Test and Protection earth the ELD will display a value that is not the 20K.

If this occurs the user should then place an external test resistor to verify the connection. The best way to do it is to place the test resistor, first between the Bus and Protection Earth and then between Bus and Test Earth. If there is a difference it is likely that the connection is not proper.

See attached drawing.



Title: *			
Document Name: <i>ELD Block Diagram.SchDoc</i>			
Size: A4	Number:	Revision: V1.0	
Date: 23/06/2011	Time: 9:48:23 AM	Sheet 1 of 1	
File: Z:\Master Projects\11-10- earth leakage Det\esi11-10 block Diagram.SchDoc			