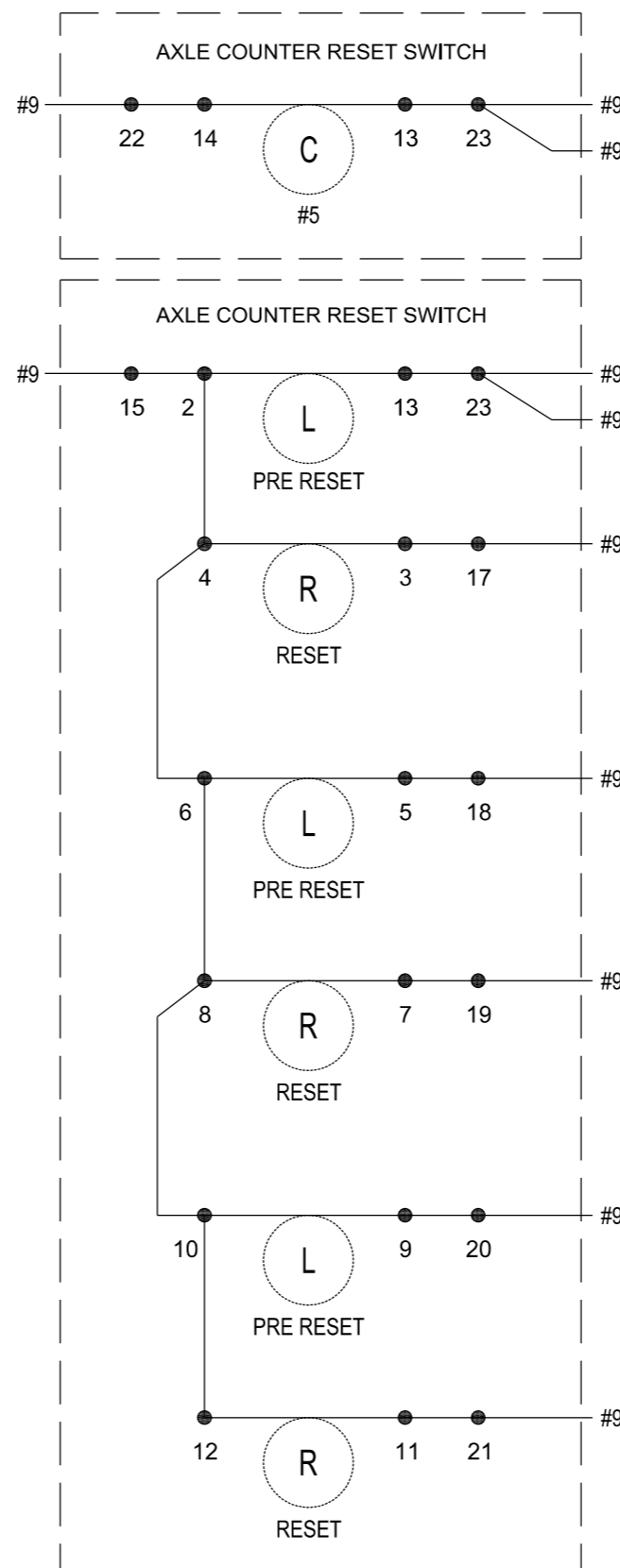
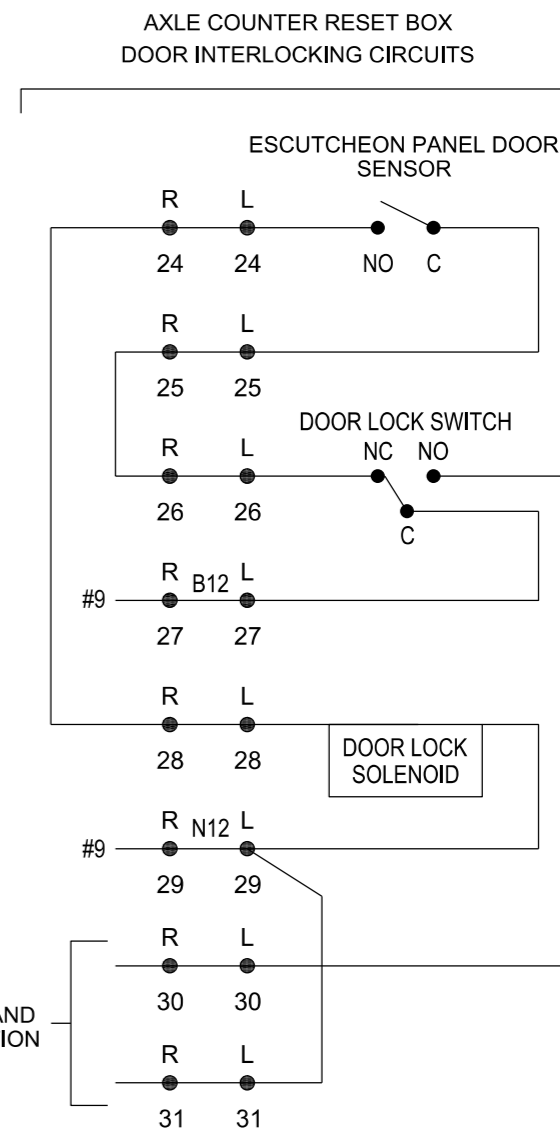


NOTE: RESISTOR TO SUIT LED USED

LEVEL CROSSING AXLE COUNTER RESET BOX



LEVEL CROSSING AXLE COUNTER RESET BOX



- NOTE:
- #1 GREEN LED CHROME BEXEL ALTRONICS PART NO Z0232
 - #2 RED LED CHROME BEXEL ALTRONICS PART NO Z0230
 - #3 330 OHM RESISTOR RS PART NO 159-461
 - #4 150 OHM RESISTOR RS PART NO 159-449
 - #5 RESET SWITCH KRAUS AND NAIMER PART NO CA10B-AU001817
 - #6 DOOR SOLENOID SAIA - BURGESS PART NO 151477-230, RS PART NO 431-7548
 - #7 DOOR LOCK MICROSWITCH HONEYWELL V15H22, RS PART NO 515-785
 - #8 ESCUTCHEON PANEL DOOR SENSOR ASSEMtech PTA230/30, RS PART NO 331-7569
 - #9 FROM EXTERNAL INTERLOCKING

Revised By	In Serv	Rev.	Date	Description	Designed	Checked	Ind. Review	Approved

Consultant

Franchisee / Lessee

SIGNALS
AXLE COUNTER
RESET CIRCUITS

Up Location East. North. ID#

Down Location East. North. ID#

Datum

File Name	AXR13.dwg	Drawn By	MZC	Designed By	
Sheet No.	13 of 14	Checked By		Ind. Review	
In Serv.		Approved		Approval Date	
Scale	N.T.S.	Sheet Size	A3	Drawing Number	AXR13
				Revision	A